

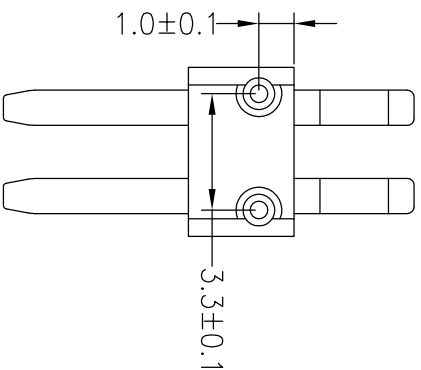
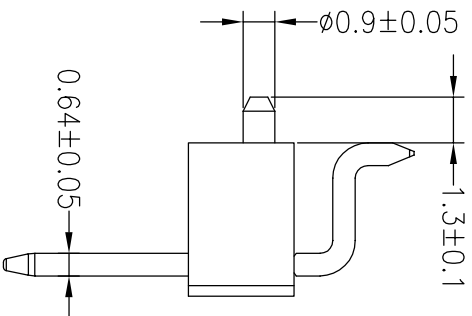
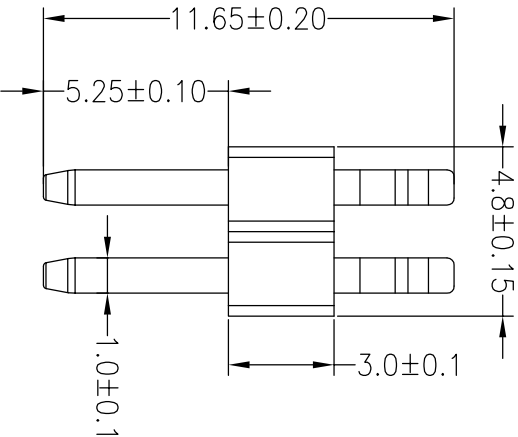
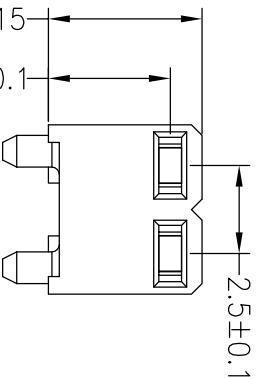
HSE RoHS

SPECIFICATIONS

Rated Current: 3.0AMP
 Contact Resistance: 20mΩ Max
 Withstand Voltage: 1000V AC/DC
 Insulation Resistance: 1000MΩ Min
 Operation Temperature: -40°C to +105°C

Contact Material: Brass
 Contact Plating: Matte Tin Over Ni 50u"
 Insulator Material: Polyester (UL94V-0)
 Standard: PA6T+30%G.F 灰色(白色可做备选)
 Max. Processing Temp: 230°C for 30-60 seconds
 (260°C for 10 seconds)

PIN针盐雾实验满足DIN 50021SS 48h



Ordering Information

8100-02 Z SM B M 01

No. of Pins Per Row: 1x2P
 Connector Type: Z:90° SMT
 Contact Plating: SM:Matte/Tin
 Packing: M:Reel+Mylar

REV		DATE	MODIFICATION DESCRIPTION		CHANGE	OPERATION		SCALE	FIT	TITLE:	
A0		2019.10.25	NEW DRAWING			X.X X.XX X.XXX		UNIT	A4	PART NO. 8100-02ZSMBM01	
1						±0.30 ±0.20 ±0.10		mm	1/1	深圳市锦凌电子有限公司	
2						DRAW		Y.YuSheng	19.10.25	SHENZHEN JINLING ELECTRONIC CO.,LTD	
3						CHECK				Tel: 86-755-2997-5806/5802 Fax: 86-755-2997-5892	
4						APPROVE				2.5mm插针 2P H3.0 卧式 PA6T 带柱	
5						PROU.					
6						SHEET					
7						SHEET					
8						SHEET					
9						SHEET					