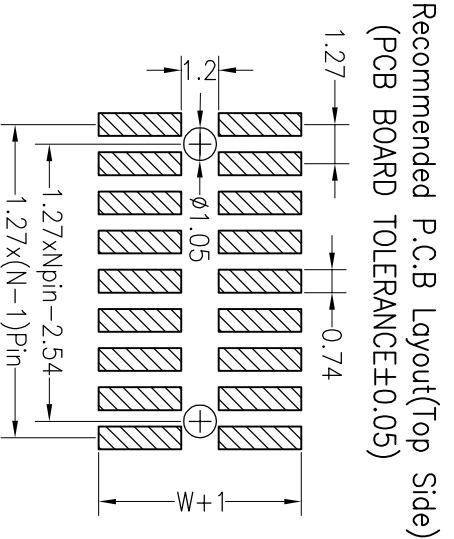
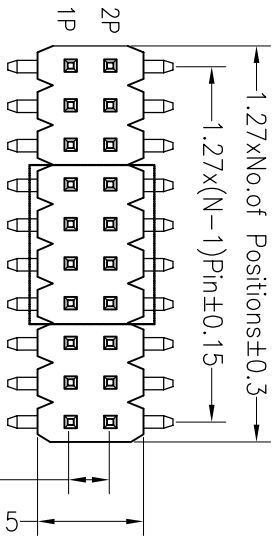




SPECIFICATIONS

Rated Current: 1.0AMP
 Contact Resistance: 20mΩ Max
 Withstand Voltage: 500V AC/DC
 Insulation Resistance: 1000MΩ Min
 Operation Temperature: -40°C to +105°C

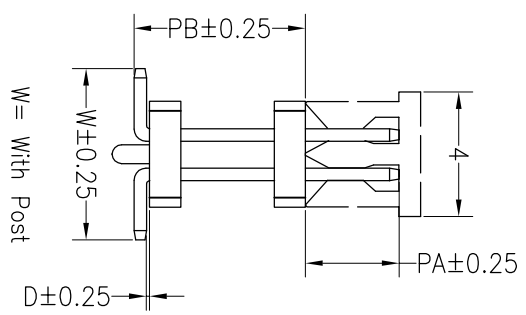
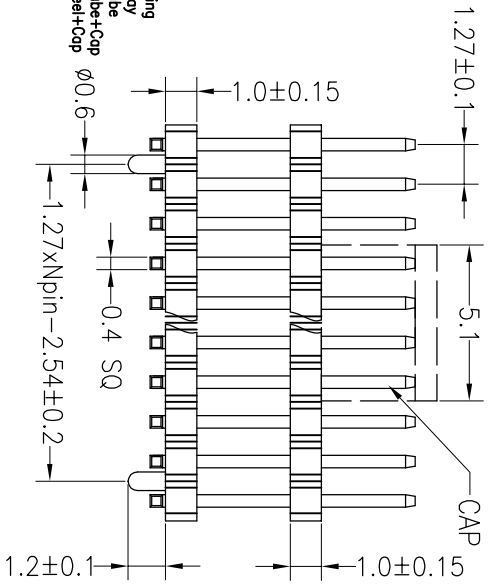
Contact Material: Brass
 Contact Plating: Au or Sn Over Ni
 Insulator Material: Polyester (UL94V-0)
 Standard: PA6T
 Max. Processing Temp: 230°C for 30-60 seconds
 (260°C for 10 seconds)



Ordering Information

141022XX X X XX M XXX X01

No. of Pins Per Row: 2*1~2*50
 Insulator Material Option:
 A=BK-PBT
 B=BK-PA66
 C=BK-PA6T
 D=BK-PA46
 E=BK-PA9T
 F=BK-LCP
 Post: W=With Post, N=W/O Post
 Contact Plating:
 G0:50d Gold
 G1:3U" Gold
 G2:5U" Gold
 G3:10U" Gold
 G4:15U" Gold
 G5:30U" Gold
 S0:30d Flash/Tin
 Sn:Tin
 Pin Length:
 A=Tray
 T=Tube
 P=Tube+Cap
 R=Reel+Cap



Dimension antitheses list

ITEM	PA	PB	D	W	L
Standard	4.00	2.50	0.10	5.30	8.10
Alternate					

JIN 深圳市锦凌电子有限公司
 SHENZHEN JINLING ELECTRONIC CO.,LTD
 Tel: 86-755-2997-5806/5802 Fax: 86-755-2997-5892

REV	DATE	MODIFICATION DESCRIPTION	CHANGE	OPERATION	DRAW	SCALE	FIT	SIZE	SHEET	PROJ.	TITLE:
A0	2012.04.19	NEW DRAWING		±0.30 ±0.20 ±0.10 ±3°	YYuSheng 12.04.19	mm A4	1/1	1/1			PART NO. 141022XXXXXXXXXX01 1.27PH 2xNPin 2+H1.0 SMT