

SPECIFICATIONS

Rated (额定参数): 300V, 10A
 Dielectric strength (抗电强度): AC2000V/1 Minute
 Insulation Resistance (绝缘电阻): 1000MΩ Min
 Contact Resistance (接触电阻): 20mΩ Max
 Screw Torque (扭矩): 0.4Nm (3.5lb.in)
 Wire Range (线径): 1.2~24AWG
 Strip length (剥线长度): 6~7mm
 Temp. range (操作温度): -40℃~+105℃
 MAX Soldering (瞬时温度): +250℃, 5s

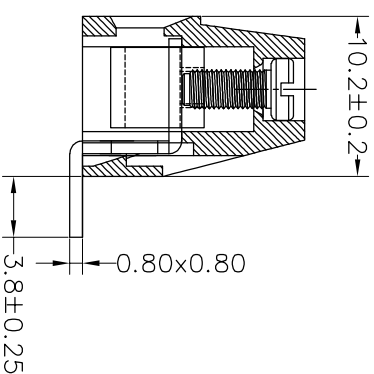
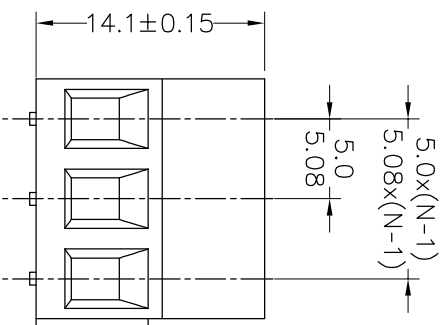
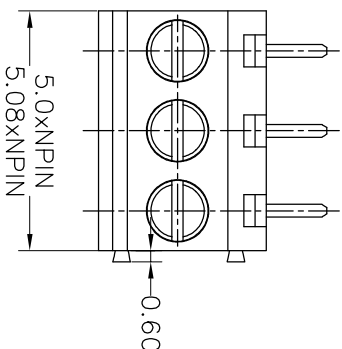
Housing Material (塑件): PA66 (UL94 V-0)
 Contact (端子): Brass, Tin plating (黄铜镀锡)
 Clamp (方块): Brass/Steel (铜/铁), Ni plating (镍镍)
 Screw (螺丝): M2.5, Steel, Zinc plating (钢镀锌)

PITCH RANGE		NOMINAL DIMENSION RANGE					
IN MM		IN MM		IN MM		IN MM	
OVER	TO	OVER	TO	OVER	TO	OVER	TO
6	10	10	24	30	60	100	150
±0.10	±0.15	±0.25	±0.30	±0.30	±0.50	±0.70	±1.00

Ordering Information

JL 128R - XXX XX X X 1

Pitch: 500=5.0P/H, 508=5.08P/H
 No. of pins: 2P, 3P, 4P~24P
 Housing Color: B=Black, G=Green, U=Blue, R=Red, W=White, Y=Yellow, O=Orange, E=Grey
 Packing: O=Pe bog, T=Tube, A=Troy



REV	DATE	MODIFICATION DESCRIPTION	CHANGE	OPERATION	DRAW	BEN	17.01.04	SCALE	FIT	PART NO.	TITLE:
A0	2017.01.04	NEW DRAWING		XX X:XX X:XXX	CHECK			mm	A4	JL 128R-XXXXXXXX1	5.00/5.08mm Terminal Blocks Female 90° DIP
1				Angle DIM	APPROVE				1/1		

JIN 深圳市锦凌电子有限公司
 SHENZHEN JINLING ELECTRONIC CO.,LTD
 Tel: 86-755-2997-5806/5802 Fax: 86-755-2997-5992